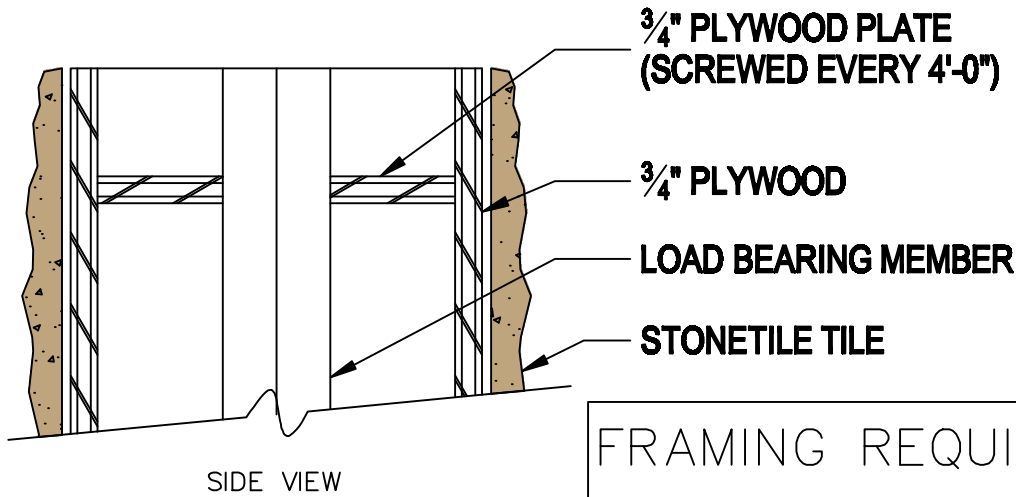


STONETILE COLUMN DETAIL



FRAMING REQUIREMENTS

FINISHED STONETILE DIMENSIONS	FRAMING DIMENSIONS (MAX. TOLERANCE $\frac{1}{8}$ ")
24" X 24"	23" x 23"
18" X 18"	17" x 17"
15" X 15"	14" x 14"
12" X 12"	11" x 11"
9" X 9"	8" x 8"
8" X 8"	7" x 7"
6" X 6"	5" x 5"

*** PLEASE BE NOTED:**
THERE WILL BE 1" SPACE AT THE BOTTOM FOR FROST HEAVE

